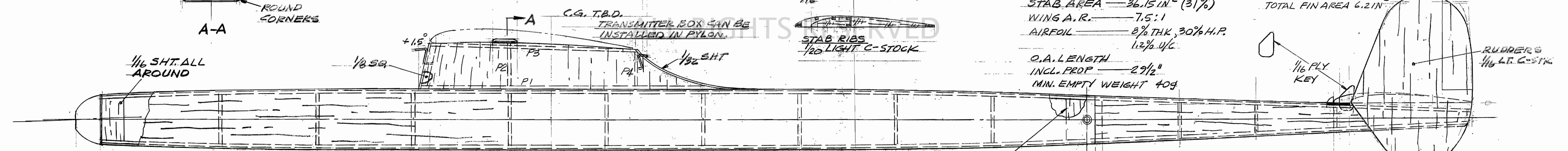
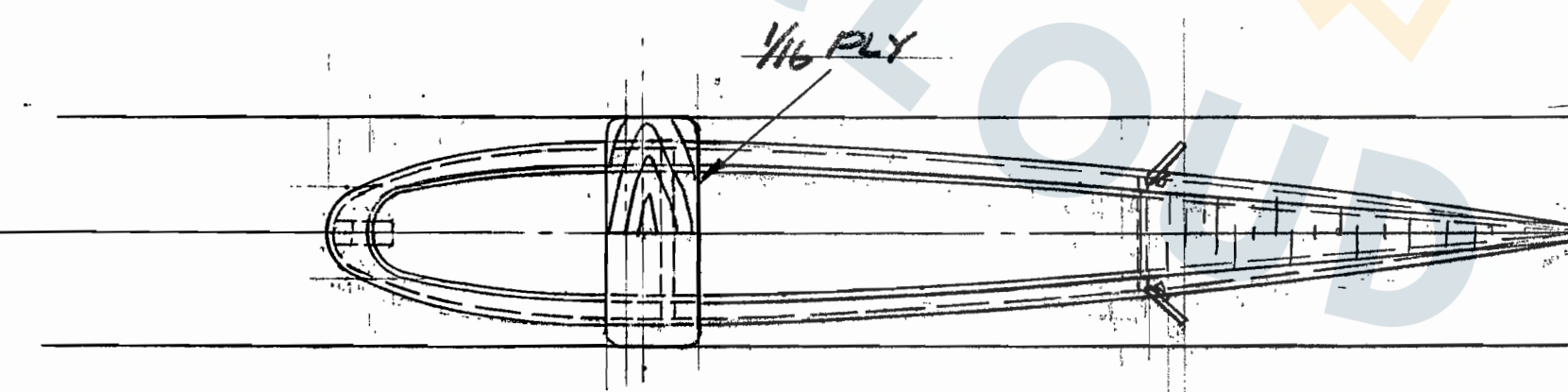
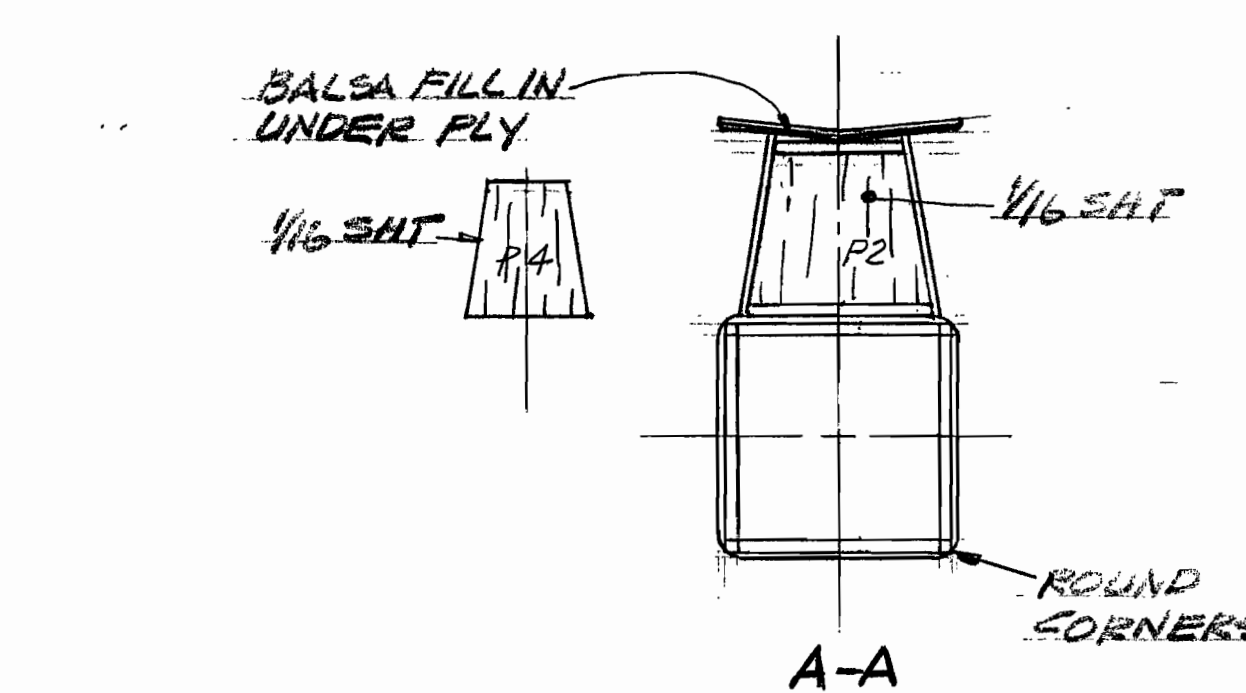
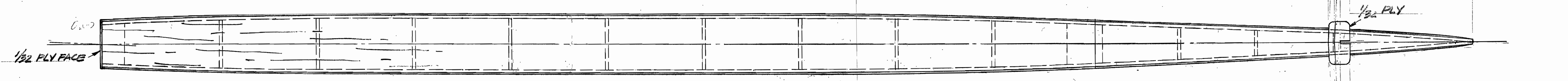


- SPAN, PROJ. — 29 13/16
- WING AREA — 110 IN<sup>2</sup> (PROJ.)
- STAB AREA — 36.15 IN<sup>2</sup> (31%)
- WING A.R. — 7.5:1
- AIRFOIL — 8% THK, 30% H.P.
- 1.2% U/C
- O.A. LENGTH INCL. PROP — 27 1/2"
- MIN. EMPTY WEIGHT 40g
- TOTAL FIN AREA 6.2 IN<sup>2</sup>



FUSELAGE CONSTRUCTION:  
 FRAME — 1/16 SA  
 COVER WITH 1/32 C-STOCK  
 DOPE 3 COATS INSIDE PRIOR  
 TO ATTACHMENT.

DOWN/SIDE THRUST T.B.D.



BOTTOM VIEW

P-30 '04  
 R. GREGORY 2/9/04

R. GREGORY 2/9/04

PLAN COURTESY OF

